

FERRANTI ARCADIA

1933-34 and '34-35

Four-valve, plus rectifier, two wave-band superhet for A.C. mains operation. Meter-type tuning indicator and triode output. Models marketed in 1933-34 and 1934-35 are reviewed. Made by Ferranti, Ltd., Moston, Nr. Manchester.

THESE two models of the Arcadia are very similar. The tuning circuits are identical and so are the mains sections. The H.T. bleeder and the L.F. intervalve couplings are different, and so are the A.V.C. and tuning (A.V.C.) meter connections.

The valves are as given in the table for the 1934-35 version, but the readings obtained with the '33-34 model may not correspond.

GANGING

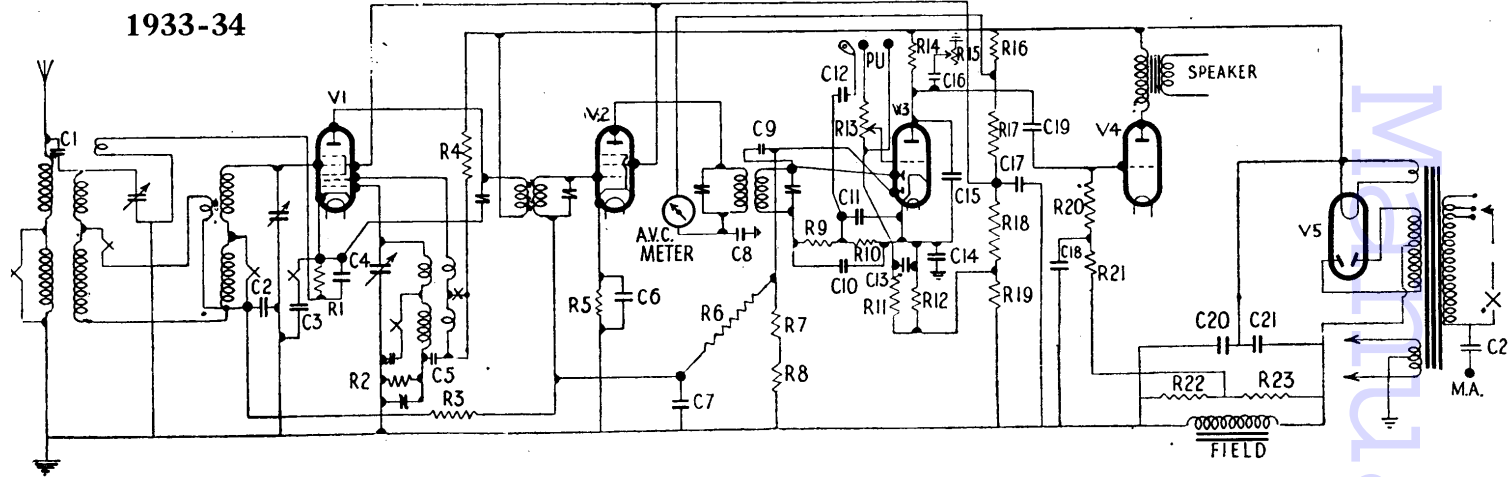
Alignment is the same for both models.

I.F. Circuits.—Inject 125 k.c. between V1 signal grid and chassis. Adjust the four I.F. trimmers (at rear below chassis) for maximum on output meter. Throughout ganging keep signal as low as possible.

M.W. Band.—Set pointer to 200m. with gang condenser full out.

Tune to 228m., inject 228m. (still to V1 grid) and set oscillator trimmer (on

Continued in end column



Above—The circuit of the 1933-34 Arcadia. The values of the condensers and resistances are given in the tables below.

CONDENSERS

C	Mfds.	C	Mfds.
1	18 mmfds.	12	.01
2	.05	13	.25
3	.02	14	1
4	.02	15	.0003
5	.01	16	.01
6	.1	17	.1
7	.05	18	.25
8	.1	19	.02
9	.0005	20	8
10	.00015	21	8
11	.00015	22	.0003

RESISTANCES

R	Ohms.	R	Ohms.
1	300	13	1 meg.
2	50,000	14	120,000
3	250,000	15	.5 meg.
4	100,000	16	3,000
5	450	17	9,000
6	1 meg.	18	12,400
7	2 meg.	19	1,400
8	2 meg.	20	250,000
9	100,000	21	60,000
10	500,000	22	100,000
11	100,000	23	250,000
12	3,500		

CONDENSERS

C	Mfds.	C	Mfds.
1	18 mmfds.	13	.01
2	.05	14	.25
3	.02	15	.0003
4	.03	16	.05
5	.01	17	1
6	.1	18	.02
7	.1	19	.25
8	.1	20	1
9	.0005	21	8
10	.05	22	8
11	.00015	23	.002
12	.00015	24	.002

Below—The circuit of the 1934-35 Arcadia. Component values and valve readings are given in the adjoining tables.

RESISTANCES

R	Ohms.	R	Ohms.
1	300	14	100,000
2	50,000	15	1,700
3	100,000	16	.5 meg.
4	1,000	17	.25 meg.
5	450	18	60,000
6	1 meg.	19	6,000
7	2 meg.	20	6,000
8	2 meg.	21	18,000
9	1 meg.	22	18,000
10	100,000	23	13,000
11	500,000	24	800
12	1 meg.	25	100,000
13	40,000	26	250,000

VALVE READINGS

V	Type	Electrode	Volts	Ma.
1	VHT4	Anode	168	1.7
		Screen	62	
		Osc. anode	82	1.4
2	VPT4	Anode	165	3.3
		Screen	82	
3	H4D	Anode	145	1.7
4	LP4	Anode	223	46
5	R4	—	—	—

Continued from first column

gang section nearest rear of chassis) for second peak from tight.

Inject 228m. to aerial and earth and adjust band-pass (centre gang) and aerial (front of gang) trimmers for maximum.

Tune to 500m., inject 500m., and adjust oscillator padder (top of coil can between V1 and V2 and nearer front of chassis) for maximum.

L.W. Band.—There is only a padder which should be adjusted with set tuned to 1,807m., and with 1,807m. injected.

This padder is on the coil can between V1 and V2 and is nearer the back of the chassis.

1934-35

